



NORTHLAND STEEL PRODUCTS
LIMITED

60-62 COVE ROAD, WAIPU.
P.O. BOX 59, WAIPU,
NEW ZEALAND.
PHONE (09) 432-0146 FAX (09) 432-0481
E-MAIL:-nspl@xtra.co.nz

1st SEPTEMBER 2014

EXCAVATOR BUCKET & ATTACHMENT PRICE LIST

GST Not Included Freight Not Included Nett Prices ex Works, Waipu

1 to 1.99 TONNE MACHINE WEIGHT

1./ **STANDARD WIDE BUCKET** NSP Design - General Purpose

| <u>Width</u> | <u>Weight kgs</u> |
|--------------|-------------------|
| 600mm | 56 |
| 700mm | 57 |
| 800mm | 58 |
| 900mm | 59 |
| 1000mm | 60 |
| 1100mm | 62 |

When using Tilt Hitches order Tapered End Buckets @ 5% Extra
Optional Extra's: Wear Strips & Bolt on Reversible Cutting Edge

2./ **STANDARD DIGGING BUCKET** NSP Design

Width = Actual Bucket Only - Side Cutters Additional to Width + 20mm
Side Cutters Weld On - Standard
Standard Teeth MB Series (Includes Adaptor)
Price - Includes Teeth & Side Cutters

| <u>Width</u> | <u>Price</u> | <u>No. of Teeth</u> | <u>Weight kgs</u> |
|--------------|--------------|---------------------|-------------------|
| 200mm | | 3 | 30 |
| 250mm | | 3 | 33 |
| 300mm | | 3 | 37 |
| 350mm | | 3 | 40 |
| 400mm | | 4 | 42 |
| 450mm | | 4 | 46 |
| 500mm | | 5 | 50 |

3./ **STANDARD SPADE FRAME** Weight - 22kgs

NSP Design - with Grader Bolts (1 3/4" x 5/8")

| <u>SPADES</u> | | <u>SPADE BUCKETS</u> | |
|---------------|-------------------|---|-------------------|
| <u>Width</u> | <u>Weight kgs</u> | <u>Width</u> | <u>Weight kgs</u> |
| 150mm | 9 | 150mm | 21 |
| 200mm | 10 | 200mm | 22 |
| 250mm | 11 | 250mm | 23 |
| 300mm | 12 | 300mm | 25 |
| 350mm | 13 | 350mm | 26 |
| 400mm | 14 | 400mm | 27 |
| 450mm | 15 | <u>SPADE BUCKETS (LOW SIDES)</u> | |
| 500mm | 16 | 300mm | 20 |
| 550mm | 17 | 400mm | 24 |

4./ **QUICK COUPLER** - (Drawpin Type) Weight - 18kgs

5./ **SINGLE POINT RIPPER** Weight kgs

| | |
|---------------------------|----|
| with Full Tyne (25 BA400) | 21 |
| with Removeable MB Tip | 21 |

6./ **SINGLE RAM HYDRAULIC TILT BUCKET**

| <u>Width</u> | <u>Weight kgs</u> |
|--------------|-------------------|
| 900mm | 96 |
| 1000mm | 105 |
| 1100mm | 113 |

7./ Plain Bucket Pins (Mild Steel) Ø25 Ø30

Weights (kgs) are only Approximate
PRICES SUBJECT TO CHANGE WITHOUT NOTICE

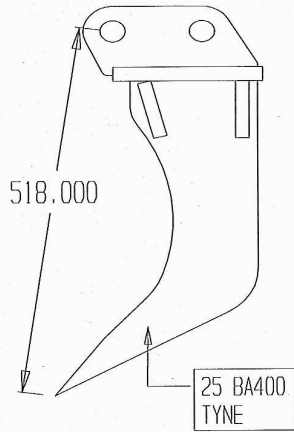


NORTHLAND STEEL PRODUCTS LIMITED

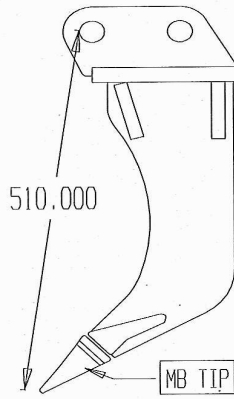
60-62 COVE ROAD, WAIPU.
P.O. BOX 59, WAIPU,
NEW ZEALAND.
PHONE (09) 432-0146 FAX (09) 432-0481
E-MAIL:-nsp@xtra.co.nz

STANDARD 1-1.99 TON ATTACHMENTS

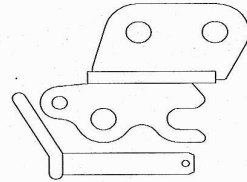
RIPPER
25 BA400 TYNE



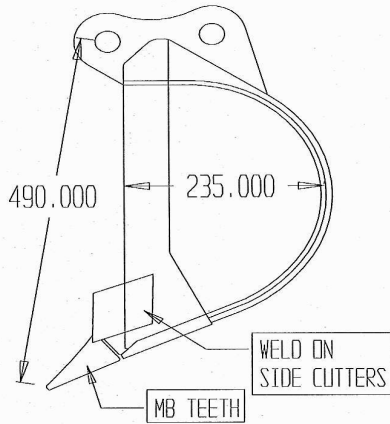
RIPPER
MB TIP



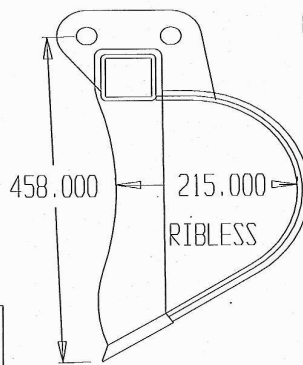
DRAW PIN
QUICK COUPLER



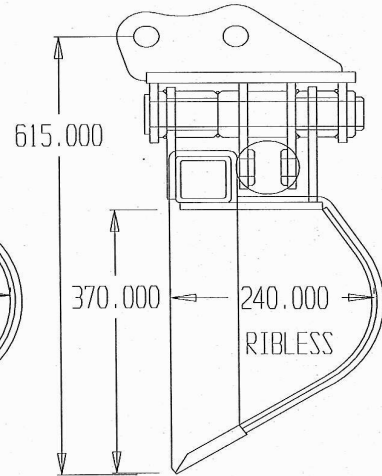
DIGGING BUCKET



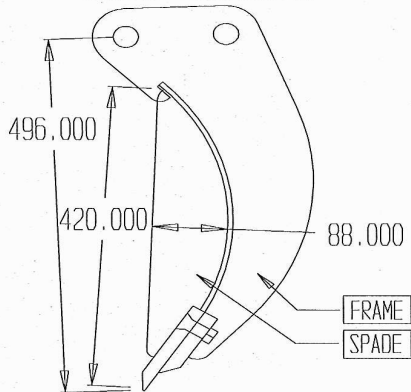
WIDE BUCKET



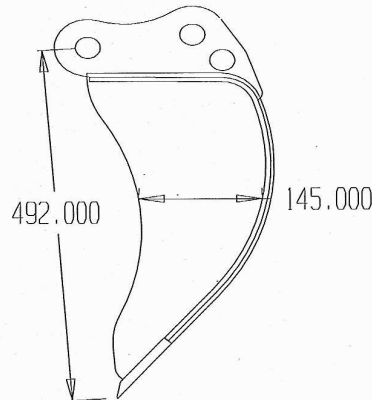
SINGLE RAM
TILT BUCKET



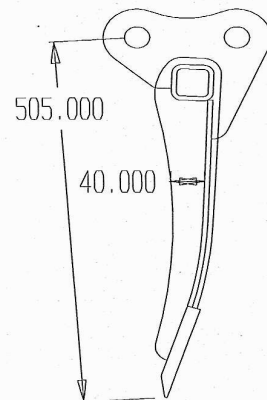
SPADE FRAME WITH
BOLT ON SPADES



SPADE BUCKET



SPADE BUCKET
LOW SIDES



CAN CHANGE OR CUSTOM BUILD ANY ATTACHMENT TO SUIT