



NORTHLAND STEEL PRODUCTS  
LIMITED

60 -62 COVE ROAD, WAIPU.  
P.O. BOX 59, WAIPU,  
NEW ZEALAND.  
PHONE (09) 432 - 0146 FAX (09) 432 - 0481  
E-MAIL:-nspl@xtra.co.nz

**1st SEPTEMBER 2014**

**EXCAVATOR BUCKET & ATTACHMENT PRICE LIST**

GST Not Included                      Freight Not Included                      Nett Prices ex Works, Waipu

**15 to 17 TONNE MACHINE WEIGHT**

- 1./ **STANDARD WIDE BUCKET**                      NSP Design - General Purpose  

<u>Width</u>	<u>Weight kgs</u>
1800mm	406
2000mm	430
2100mm	440
2200mm	455
2300mm	480
2400mm	505

When using Tilt Hitches order Tapered End Buckets @ 5% Extra  
Optional Extra's: Wear Strips & Bolt on Reversible Cutting Edge
  
- 2./ **STANDARD DIGGING BUCKET**                      NSP Design  

Width = Actual Bucket Only - Side Cutters Additional to Width + 90mm  
Side Cutters                      Standard - Bolt On  
Standard Teeth                      Vertical Pinned 35 Series (Includes Adaptor)  
Price - Includes Teeth & Side Cutters

<u>Width</u>	<u>No. of Teeth</u>	<u>Weight kgs</u>
500mm	3	
600mm	3	425
750mm	4	
950mm x 0.55m <sup>3</sup>	5	540
  
- 3./ **STANDARD SPADE FRAME**                      Weight - 230 kgs  
NSP Design - with Grader Bolts                      (2 3/4" x 7/8")

<b><u>SPADES</u></b>		<b><u>SPADE BUCKETS</u></b>	
<u>Width</u>	<u>Weight kgs</u>	<u>Width</u>	<u>Weight kgs</u>
400mm	85	400mm	
500mm	100	500mm	
600mm	105	600mm	
  
- 4./ **QUICK COUPLER** - (Drawpin Type)                      Weight - 220 kgs
  
- 5./ **SINGLE POINT RIPPER**                      Weight kgs  
with ESCO 25R-12 Tip                      380
  
- 6./ **SINGLE RAM HYDRAULIC TILT BUCKET**                      **TWIN RAM HYDRAULIC TILT BUCKET**  

<u>Width</u>	<u>Weight</u>	<u>Width</u>	<u>Weight</u>
1800mm	637 kgs	1800mm	718 kgs
2000mm	649 kgs	2000mm	730 kgs
  
- 7./ **STICK ROOT RAKE - TYPE 1**                      Weight - 576 kgs
  
- 8./ **60° VEE BUCKET** - (Teeth Optional Extra)                      Weight -
  
- 9./ Plain Bucket Pins (Mild Steel)                      Ø70                      Ø80

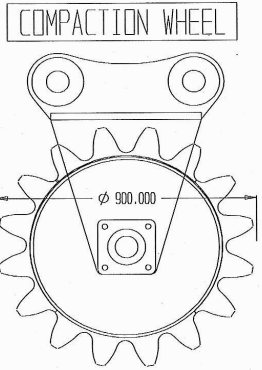
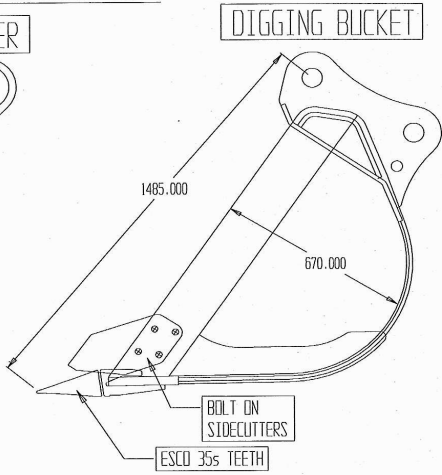
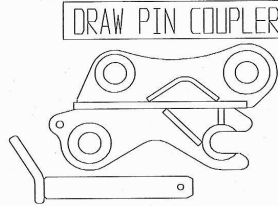
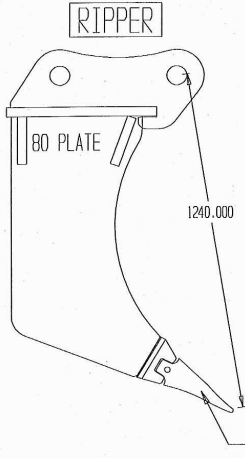
Weights (kgs) are only Approximate  
PRICES SUBJECT TO CHANGE WITHOUT NOTICE



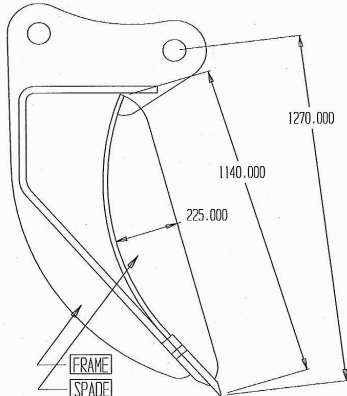
NORTHLAND STEEL PRODUCTS LIMITED

60 -62 COVE ROAD, WAIPU.  
P.O. BOX 59, WAIPU,  
NEW ZEALAND.  
PHONE (09) 432 - 0146 FAX (09) 432 - 0481  
E-MAIL:-nsp@xtra.co.nz

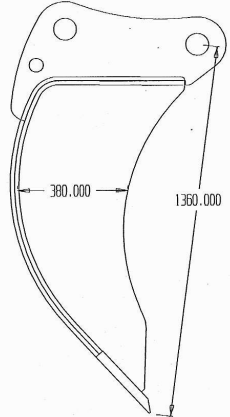
STANDARD 15-17 TON ATTACHMENTS



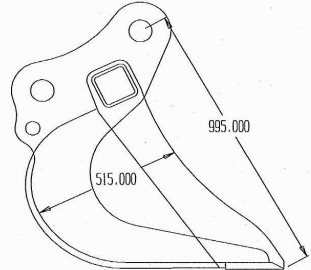
SPADE FRAME WITH BOLT ON SPADES



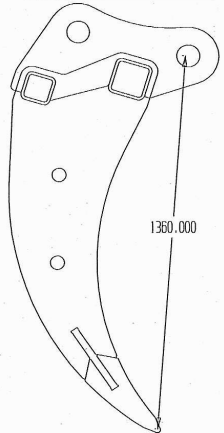
SPADE BUCKET



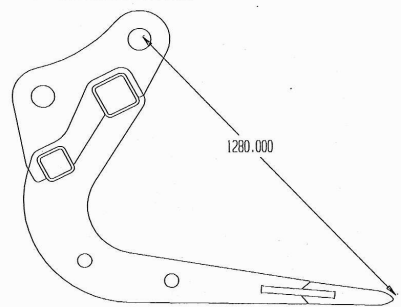
WIDE BUCKET



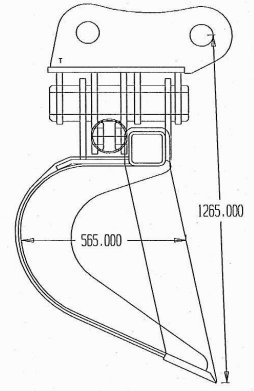
T2 STICK RAKE



T1 STICK RAKE



SINGLE AND TWIN RAM TILT BUCKET



CAN CHANGE OR CUSTOM BUILD ANY ATTACHMENT TO SUIT