



NORTHLAND STEEL PRODUCTS
LIMITED

60 -62 COVE ROAD, WAIPU.
P.O. BOX 59, WAIPU,
NEW ZEALAND.
PHONE (09) 432 - 0146 FAX (09) 432 - 0481
E-MAIL:-nsp1@xtra.co.nz

1st SEPTEMBER 2014

EXCAVATOR BUCKET & ATTACHMENT PRICE LIST

GST Not Included Freight Not Included Nett Prices ex Works, Waipu

2 to 2.99 TONNE MACHINE WEIGHT

1./	<u>STANDARD WIDE BUCKET</u>	NSP Design - General Purpose
	<u>Width</u>	<u>Weight kgs</u>
	800mm	64
	900mm	70
	1000mm	76
	1100mm	82
	1200mm	89
	1300mm	95
	When using Tilt Hitches order Tapered End Buckets @ 5% Extra	
	Optional Extra's: Wear Strips & Bolt on Reversible Cutting Edge	

2./	<u>STANDARD DIGGING BUCKET</u>	NSP Design	
	Width = Actual Bucket Only - Side Cutters Additional to Width + 60mm		
	Side Cutters	Standard - Bolt On	
	Standard Teeth	MB Series (Includes Adaptor)	
	Price - Includes Teeth & Side Cutters		
	<u>Width</u>	<u>No. of Teeth</u>	<u>Weight kgs</u>
	200mm	3	49
	250mm	3	54
	300mm	3	59
	350mm	3	64
	400mm	4	69
	450mm	4	74
	500mm	5	80
	550mm	5	85
	600mm	6	90

3./	<u>STANDARD SPADE FRAME</u>	Weight - 37kgs		
	NSP Design - with Grader Bolts	(1 3/4" x 5/8")		
	<u>SPADES</u>	<u>SPADE BUCKETS</u>		
	<u>Width</u>	<u>Weight kgs</u>	<u>Width</u>	<u>Weight kgs</u>
	200mm	11	200mm	38
	250mm	13	250mm	40
	300mm	15	300mm	42
	350mm	16	350mm	44
	400mm	18	400mm	46
	450mm	20	450mm	48
	500mm	22	500mm	50
	550mm	24	550mm	52
	600mm	26	600mm	54
			<u>SPADE BUCKETS - LOW SIDES</u>	
			300mm	42
			400mm	46

4./	<u>QUICK COUPLER</u> - (Drawpin Type)	Weight - 30kgs
-----	--	----------------

5./	<u>SINGLE POINT RIPPER</u>	<u>Weight kgs</u>
	with CAT IU3202 Tip	51

6./	<u>SINGLE RAM HYDRAULIC TILT BUCKET</u>	
	<u>Width</u>	<u>Weight kgs</u>
	1050mm	139
	1100mm	141
	1200mm	143

7./	Plain Bucket Pins (Mild Steel)	Ø30	Ø35
-----	--------------------------------	-----	-----

Weights (kgs) are only Approximate
PRICES SUBJECT TO CHANGE WITHOUT NOTICE

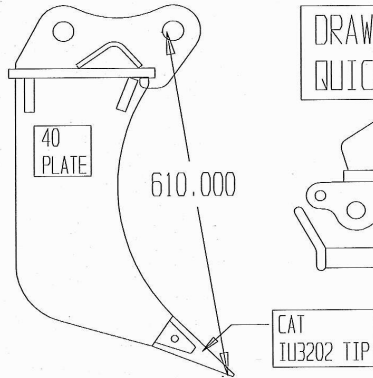


NORTHLAND STEEL PRODUCTS LIMITED

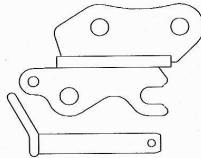
60-62 COVE ROAD, WAIPU.
P.O. BOX 59, WAIPU,
NEW ZEALAND.
PHONE (09) 432-0146 FAX (09) 432-0481
E-MAIL:-nsp@xtra.co.nz

STANDARD 2-2.99 TON ATTACHMENTS

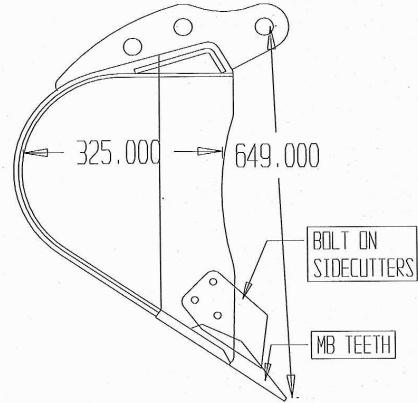
RIPPER



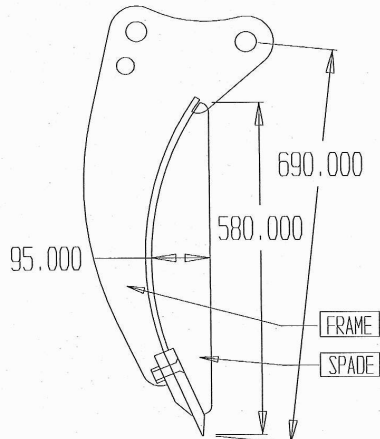
DRAW PIN QUICK COUPLER



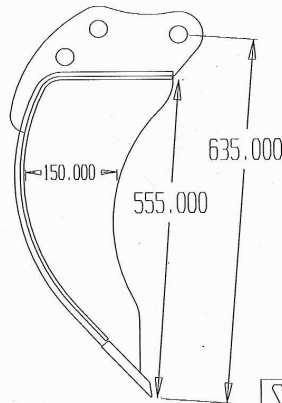
DIGGING BUCKET



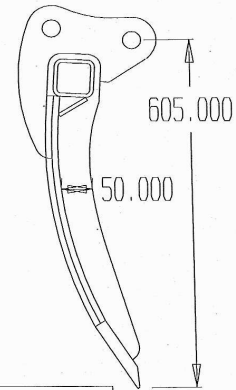
SPADE FRAME WITH BOLT ON SPADES



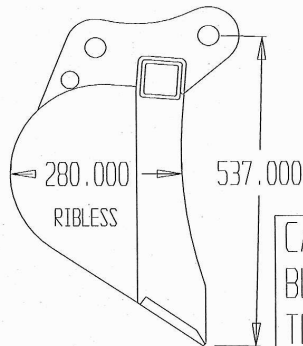
SPADE BUCKET



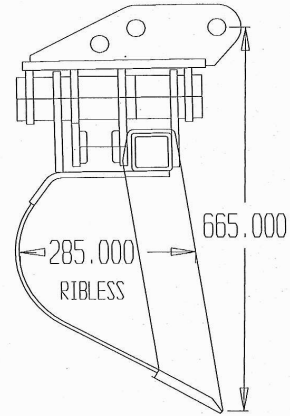
SPADE BUCKET LOW SIDES



WIDE BUCKET RIBLESS



SINGLE RAM TILT BUCKET



CAN CHANGE OR CUSTOM BUILD ANY ATTACHMENT TO SUIT