



**NORTHLAND STEEL PRODUCTS
LIMITED**

60 -62 COVE ROAD, WAIPU.
P.O. BOX 59, WAIPU,
NEW ZEALAND.
PHONE (09) 432 - 0146 FAX (09) 432 - 0481
E-MAIL:-nspl@xtra.co.nz

1st SEPTEMBER 2014

EXCAVATOR BUCKET & ATTACHMENT PRICE LIST

GST Not Included

Freight Not Included

Nett Prices ex Works, Waipu

22 to 24 TONNE MACHINE WEIGHT

- 1./ **STANDARD WIDE BUCKET** NSP Design - General Purpose

Width

1800mm

2000mm

2100mm

2200mm

2300mm

2400mm

When using Tilt Hitches order Tapered End Buckets @ 5% Extra

Wear Strips Fitted as Standard

Optional Extra's: Bolt on Reversible Cutting Edge

- 2./ **STANDARD DIGGING BUCKET** NSP Design

Width = Actual Bucket Only - Side Cutters Additional to Width + 140mm

Side Cutters Standard - Bolt On

Standard Teeth Side Pinned J350 Series (Includes Adaptor)

Price - Includes Teeth & Side Cutters

Width

No. of Teeth

600mm

3

1160mm x 0.9m³

5

1210mm x 1m³

5

1450mm x 1.2m³

5

- 3./ **SINGLE POINT RIPPER**

with ESCO 25R-12 Tip

- 4./ **STICK ROOT RAKE - TYPE 1**

- 5./ Plain Bucket Pins (Mild Steel)

Ø80

Ø90

PRICES SUBJECT TO CHANGE WITHOUT NOTICE

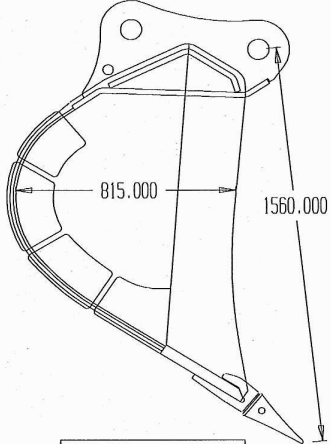


NORTHLAND STEEL PRODUCTS LIMITED

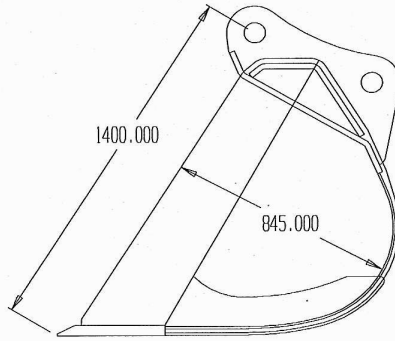
60-62 COVE ROAD, WAIPU.
P.O. BOX 59, WAIPU,
NEW ZEALAND.
PHONE (09) 432-0146 FAX (09) 432-0481
E-MAIL:-nsp@xtra.co.nz

STANDARD 22-24 TON ATTACHMENTS

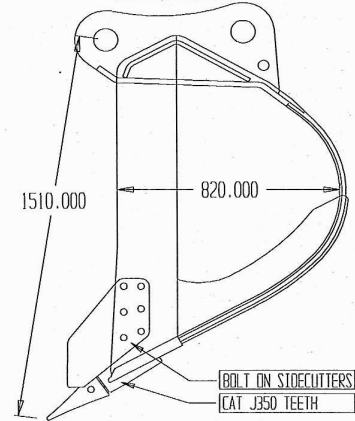
ROCK BUCKET



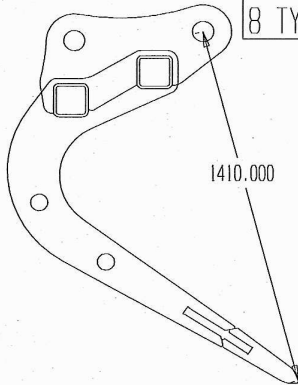
REHANDLING BUCKET



DIGGING BUCKET

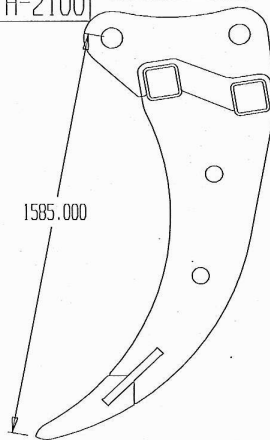


TYPE 1 STICK RAKE

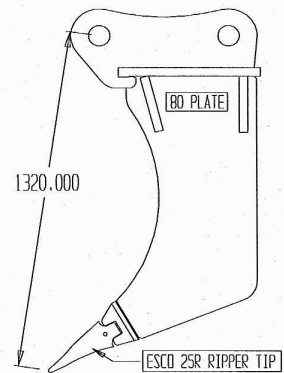


STANDARD WIDTH-2100
8 TYNES

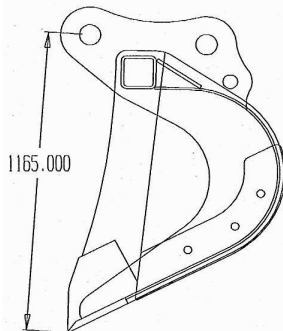
T2 STICK RAKE



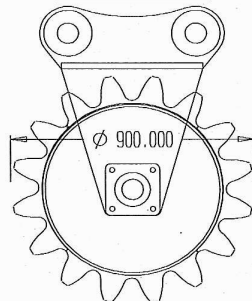
RIPPER



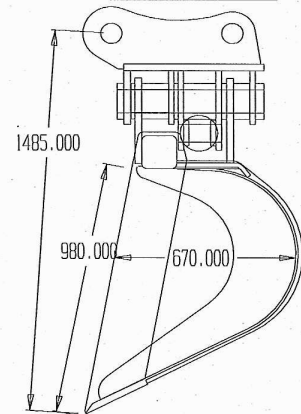
WIDE BUCKET



COMPACTION WHEEL



TWIN RAM TILT BUCKET



CAN CHANGE OR CUSTOM BUILD ANY ATTACHMENT TO SUIT