



**NORTHLAND STEEL PRODUCTS
LIMITED**

60 -62 COVE ROAD, WAIPU.
P.O. BOX 59, WAIPU,
NEW ZEALAND.
PHONE (09) 432 - 0146 FAX (09) 432 - 0481
E-MAIL:-nspl@xtra.co.nz

1st SEPTEMBER 2014

EXCAVATOR BUCKET & ATTACHMENT PRICE LIST

GST Not Included

Freight Not Included

Nett Prices ex Works, Waipu

25 to 28 TONNE MACHINE WEIGHT

1./ **STANDARD WIDE BUCKET** NSP Design - General Purpose

Width

1800mm
2000mm
2100mm
2200mm
2300mm
2400mm

When using Tilt Hitches order Tapered End Buckets @ 5% Extra
Wear Strips Fitted as Standard
Optional Extra's: Bolt on Reversible Cutting Edge

2./ **STANDARD DIGGING BUCKET** NSP Design

Width = Actual Bucket Only - Side Cutters Additional to Width + 140mm

Side Cutters

Standard - Bolt On

Standard Teeth

Side Pinned J350 Series (Includes Adaptor)

Price - Includes Teeth & Side Cutters

Width

No. of Teeth

600mm	3
1000mm x 1m ³	5
1230mm x 1m ³	5
1430mm x 1.2m ³	5
1500mm x 1.4m ³	6

3./ **SINGLE POINT RIPPER**

with ESCO 25R-12 Tip

with ESCO 35R-14 Tip

4./ **STICK ROOT RAKE - TYPE 1**

5./ Plain Bucket Pins (Mild Steel)

Ø90

PRICES SUBJECT TO CHANGE WITHOUT NOTICE

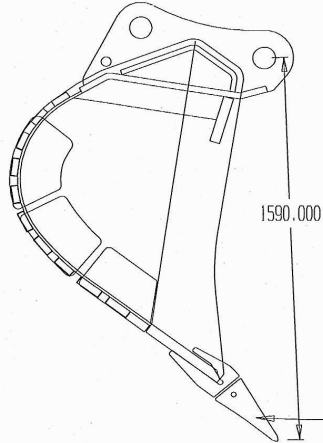


NORTHLAND STEEL PRODUCTS
LIMITED

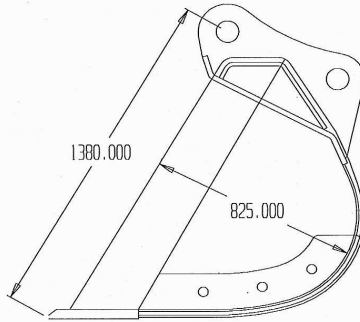
60 -62 COVE ROAD, WAIPU.
P.O. BOX 59, WAIPU,
NEW ZEALAND.
PHONE (09) 432 - 0146 FAX (09) 432 - 0481
E-MAIL:-nsp@xtra.co.nz

STANDARD 25-28 TON ATTACHMENTS

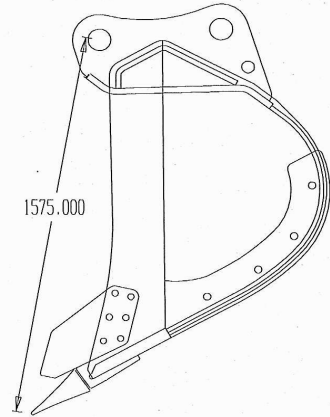
ROCK BUCKET



REHANDLING BUCKET

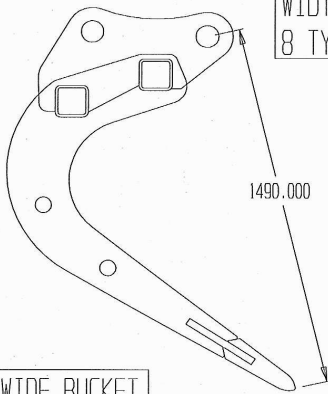


DIGGING BUCKET



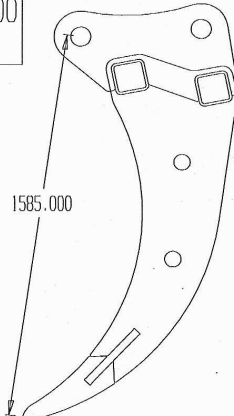
CAT .J400 TEETH

TYPE 1 STICK RAKE

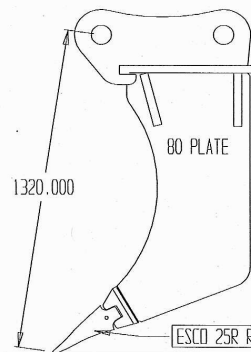


STANDARD
WIDTH-2100
8 TYNES

TYPE 2 STICK RAKE



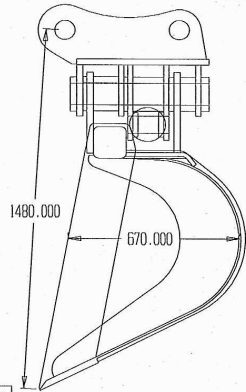
RIPPER



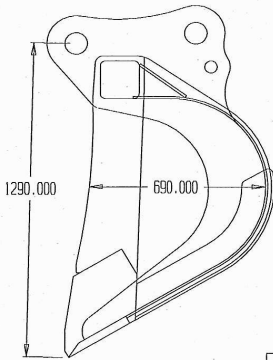
80 PLATE

ESCO 25R RIPPER TIP

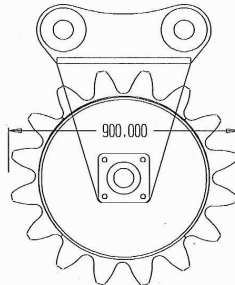
TWIN RAM TILT BUCKET



WIDE BUCKET



COMPACTION WHEEL



CAN CHANGE OR CUSTOM BUILD ANY ATTACHMENT TO SUIT