



NORTHLAND STEEL PRODUCTS  
LIMITED

60 -62 COVE ROAD, WAIPU.  
P.O. BOX 59, WAIPU,  
NEW ZEALAND.  
PHONE (09) 432 - 0146 FAX (09) 432 - 0481  
E-MAIL:-[nspl@xtra.co.nz](mailto:nspl@xtra.co.nz)

1st SEPTEMBER 2014

**EXCAVATOR BUCKET & ATTACHMENT PRICE LIST**

GST Not Included

Freight Not Included

Nett Prices ex Works, Waipu

**29 to 39 TONNE MACHINE WEIGHT**

1./ **STANDARD WIDE BUCKET** NSP Design - General Purpose

Width

2100mm

2200mm

2300mm

2400mm

When using Tilt Hitches order Tapered End Buckets @ 5% Extra

Wear Strips Fitted as Standard

Optional Extra's: Bolt on Reversible Cutting Edge

2./ **STANDARD DIGGING BUCKET** NSP Design

Width = Actual Bucket Only - Side Cutters Additional to Width + 140mm

Side Cutters Standard - Bolt On

Standard Teeth Side Pinned J350 Series (Includes Adaptor)

Price - Includes Teeth & Side Cutters

Width

No. of Teeth

1160mm x 1.0m<sup>3</sup>

5

1280mm x 1.2m<sup>3</sup>

5

1460mm x 1.4m<sup>3</sup>

5

1640mm x 1.6m<sup>3</sup>

6

3./ **SINGLE POINT RIPPER**

Price

with ESCO 35R-14 Tip

4./ **STICK ROOT RAKE - TYPE 1**

5./ Plain Bucket Pins (Mild Steel)

Ø90

Ø100

PRICES SUBJECT TO CHANGE WITHOUT NOTICE



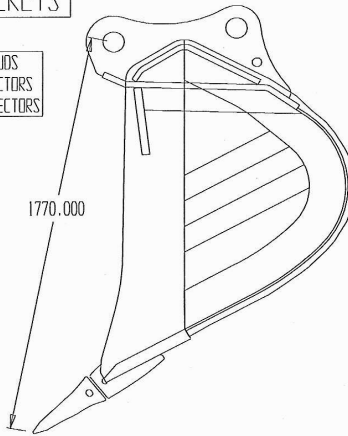
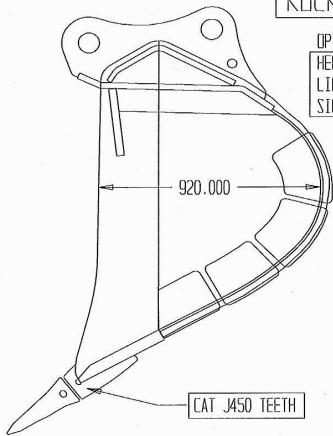
NORTHLAND STEEL PRODUCTS LIMITED

60 -62 COVE ROAD, WAIPU.  
P.O. BOX 59, WAIPU,  
NEW ZEALAND.  
PHONE (09) 432 - 0146 FAX (09) 432 - 0481  
E-MAIL:-nsp@xtra.co.nz

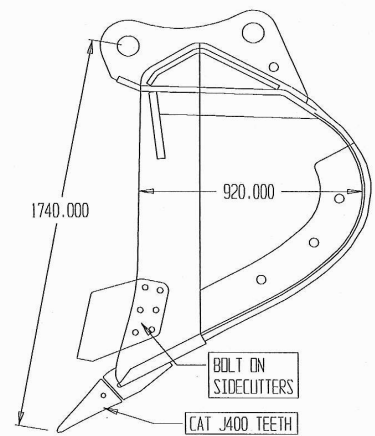
### STANDARD 29-39 TON ATTACHMENTS

ROCK BUCKETS

OPTIONS  
HEEL SHROUDS  
LIP PROTECTORS  
SIDE PROTECTORS



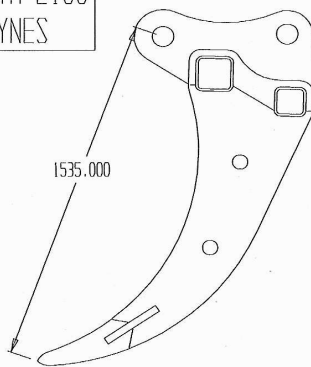
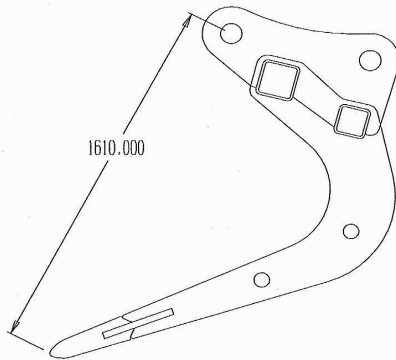
DIGGING BUCKET



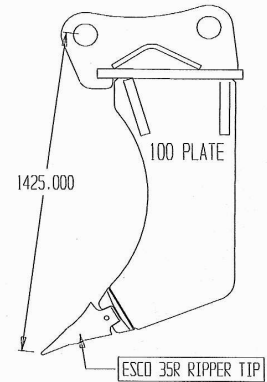
TYPE 1 STICK RAKE

STANDARD WIDTH-2100  
8 TYNES

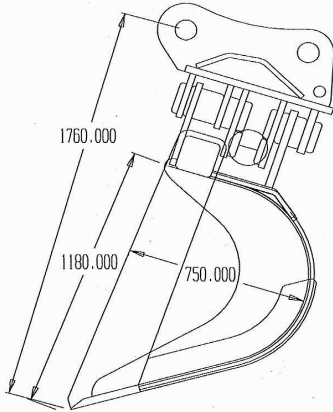
TYPE 2 STICK RAKE



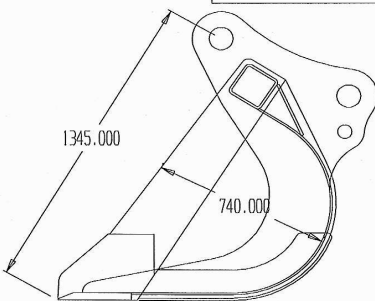
RIPPER



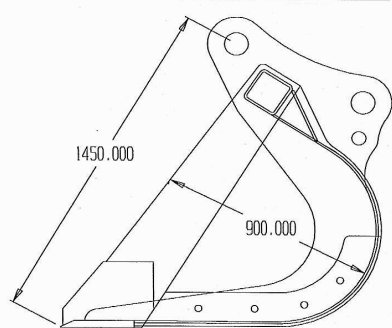
TWIN RAM TILT BUCKET



WIDE BUCKET



EXTRA CAPACITY WIDE BUCKET



CAN CHANGE OR CUSTOM BUILD ANY ATTACHMENT TO SUIT