



NORTHLAND STEEL PRODUCTS  
LIMITED

60 -62 COVE ROAD, WAIPU.  
P.O. BOX 59, WAIPU,  
NEW ZEALAND.  
PHONE (09) 432 - 0146 FAX (09) 432 - 0481  
E-MAIL:-nspl@xtra.co.nz

**1st SEPTEMBER 2014**

**EXCAVATOR BUCKET & ATTACHMENT PRICE LIST**

GST Not Included                      Freight Not Included                      Nett Prices ex Works, Waipu

**3 to 3.99 TONNE MACHINE WEIGHT**

1./ **STANDARD WIDE BUCKET**                      NSP Design - General Purpose  
Width                      Weight kgs  
1000mm                      99  
1100mm                      105  
1200mm                      111  
1300mm                      117  
1400mm                      123  
When using Tilt Hitches order Tapered End Buckets @ 5% Extra  
Optional Extras: Wear Strips & Bolt on Reversible Cutting Edge

2./ **STANDARD DIGGING BUCKET**                      NSP Design  
Width = Actual Bucket Only - Side Cutters Additional to Width + 60mm  
Side Cutters                      Standard - Bolt On  
Standard Teeth                      MB Series (Includes Adaptor)  
Price - Includes Teeth & Side Cutters  
Width                      No. of Teeth                      Weight kgs  
200mm                      3                      51  
250mm                      3                      57  
300mm                      3                      63  
350mm                      3                      69  
400mm                      4                      74  
450mm                      4                      79  
500mm                      5                      84  
550mm                      5                      89  
600mm                      5                      94  
650mm                      6                      100

3./ **STANDARD SPADE FRAME**                      Weight - 37kgs  
NSP Design - with Grader Bolts                      (1 3/4" x 5/8")

<b><u>SPADES</u></b>		<b><u>SPADE BUCKETS</u></b>	
<u>Width</u>	<u>Weight kgs</u>	<u>Width</u>	<u>Weight kgs</u>
200mm	11	200mm	44
250mm	13	250mm	48
300mm	15	300mm	52
350mm	16	350mm	56
400mm	18	400mm	60
450mm	20	450mm	64
500mm	22	500mm	68
550mm	24	550mm	72
600mm	26	600mm	76
<b><u>SPADE BUCKETS - LOW SIDES</u></b>			
300mm			
400mm			

4./ **QUICK COUPLER** - (Drawpin Type)                      Weight - 31kgs

5./ **SINGLE POINT RIPPER**                      Weight kgs  
with CAT IU3202 Tip                      58

6./ **SINGLE RAM HYDRAULIC TILT BUCKET**  
Width                      Weight kgs  
1100mm  
1200mm                      170

7./ Plain Bucket Pins (Mild Steel)                      Ø35                      Ø40

Weights (kgs) are only Approximate  
PRICES SUBJECT TO CHANGE WITHOUT NOTICE

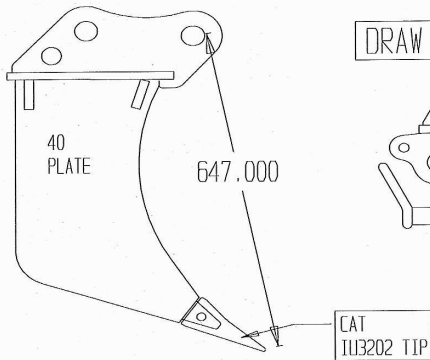


NORTHLAND STEEL PRODUCTS LIMITED

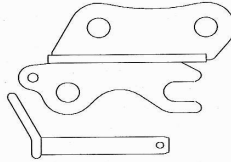
60-62 COVE ROAD, WAIPU.  
P.O. BOX 59, WAIPU,  
NEW ZEALAND.  
PHONE (09) 432-0146 FAX (09) 432-0481  
E-MAIL:-nsp@xtra.co.nz

### STANDARD 3-3.99 TON ATTACHMENTS

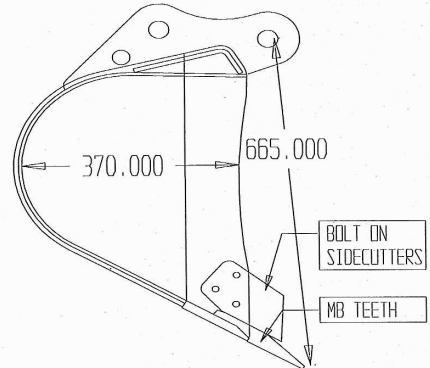
RIPPER



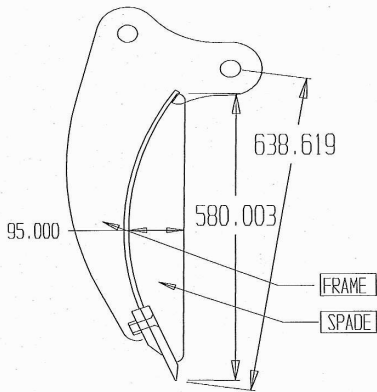
DRAW PIN QUICK COUPLER



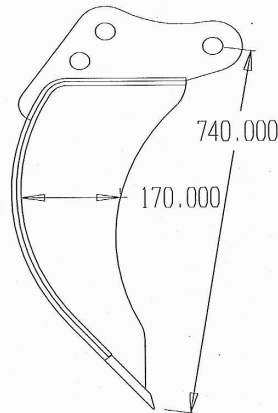
DIGGING BUCKET



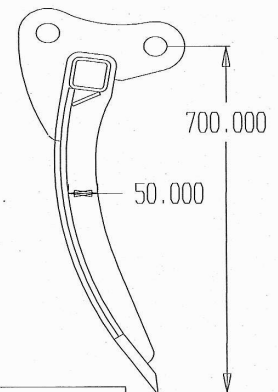
SPADE FRAME WITH BOLT ON SPADES



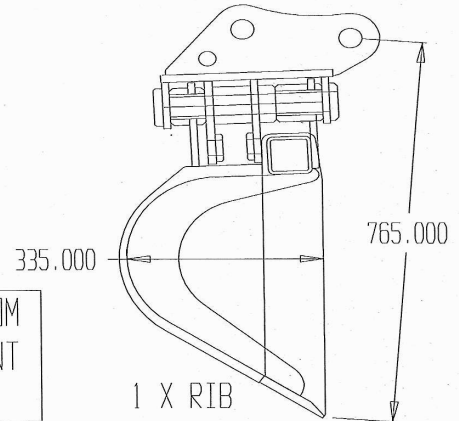
SPADE BUCKET



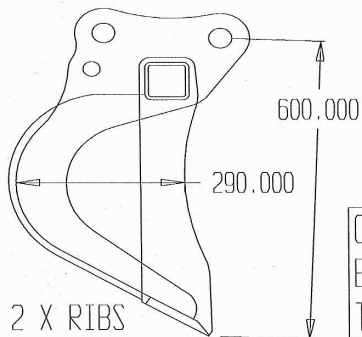
SPADE BUCKET LOW SIDES



SINGLE RAM TILT BUCKET



WIDE BUCKET



CAN CHANGE OR CUSTOM BUILD ANY ATTACHMENT TO SUIT