



NORTHLAND STEEL PRODUCTS
LIMITED

60 -62 COVE ROAD, WAIPU.
P.O. BOX 59, WAIPU,
NEW ZEALAND.
PHONE (09) 432 - 0146 FAX (09) 432 - 0481
E-MAIL:-nsp1@xtra.co.nz

1st SEPTEMBER 2014

EXCAVATOR BUCKET & ATTACHMENT PRICE LIST

GST Not Included Freight Not Included Nett Prices ex Works, Waipu

4 to 5-49 TONNE MACHINE WEIGHT

1./ **STANDARD WIDE BUCKET**

NSP Design - General Purpose

<u>Width</u>	<u>Weight kgs</u>
1200mm	138
1300mm	140
1400mm	144
1500mm	146

STANDARD WIDE BUCKETS ONLY
4 to 5 Tonne WEIGHT MACHINES
ARE MADE TO THESE
Any Weight over 5Tonne are
Made to 5-5 to 5-9 Tonne
SEE 5-5 to 5-9 Tonne PRICING

When using Tilt Hitches order Tapered End Buckets @ 5% Extra
Optional Extra's: Wear Strips & Bolt on Reversible Cutting Edge

2./ **STANDARD DIGGING BUCKET**

NSP Design

Width = Actual Bucket Only - Side Cutters Additional to Width + 65mm

Side Cutters Standard - Bolt On

Standard Teeth Vertical Pinned 18 Series (Includes Adaptor)

Price - Includes Teeth & Side Cutters

<u>Width</u>	<u>No. of Teeth</u>	<u>Weight kgs</u>
250mm	3	85
300mm	3	90
350mm	3	95
400mm	4	103
450mm	4	108
500mm	4	113
550mm	5	119
600mm	5	124
650mm	5	129
750mm	5	139

STANDARD DIGGING BUCKETS
ONLY
4 to 5 Tonne WEIGHT MACHINES
ARE
MADE TO THESE
Any Weight over 5Tonne are
Made to 5-5 to 5-9 Tonne
SEE 5-5 to 5-9 Tonne PRICING

3./ **STANDARD SPADE FRAME**

Weight - 54kgs

NSP Design - with Grader Bolts (1 3/4" x 5/8")

SPADES

SPADE BUCKETS

<u>Width</u>	<u>Weight kgs</u>	<u>Width</u>	<u>Weight kgs</u>
200mm	20	250mm	56
250mm	23	300mm	61
300mm	26	350mm	66
350mm	29	400mm	71
400mm	32	450mm	76
450mm	35	500mm	81
500mm	38	550mm	86
600mm	41	600mm	91
750mm	44	700mm	96

SPADE BUCKETS - LOW SIDES

300mm	52
400mm	60

4./ **QUICK COUPLER** - (Drawpin Type)

Weight - 42kgs

5./ **SINGLE POINT RIPPER**

Weight kgs

with CAT MC25V Tip

97

6./ **SINGLE RAM HYDRAULIC TILT BUCKET**

TWIN RAM HYDRAULIC TILT BUCKET

<u>Width</u>	<u>Weight kgs</u>
1200mm	198
1400mm	217

<u>Width</u>	<u>Weight Kgs</u>
1400mm	245
1500mm	

7./ Plain Bucket Pins (Mild Steel)

Ø40

Ø45

Weights (kgs) are only Approximate
PRICES SUBJECT TO CHANGE WITHOUT NOTICE

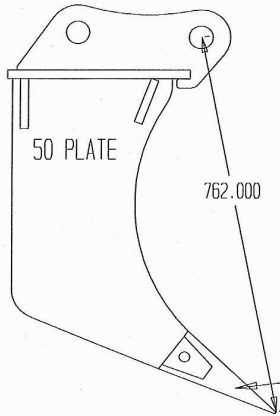


NORTHLAND STEEL PRODUCTS LIMITED

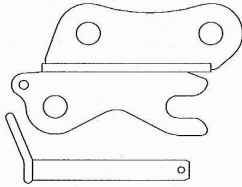
60 -62 COVE ROAD, WAIPU.
P.O. BOX 59, WAIPU,
NEW ZEALAND.
PHONE (09) 432 - 0146 FAX (09) 432 - 0481
E-MAIL:-nspl@xtra.co.nz

STANDARD 4 - 5.49 TON ATTACHMENTS

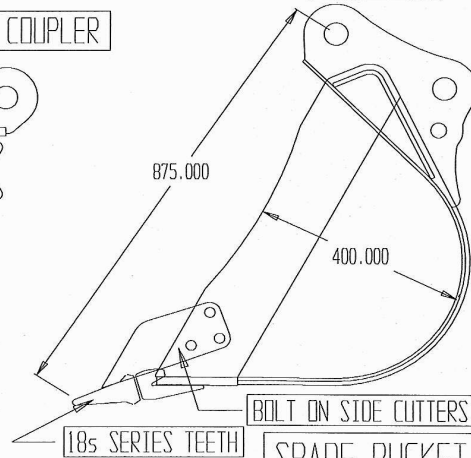
RIPPER



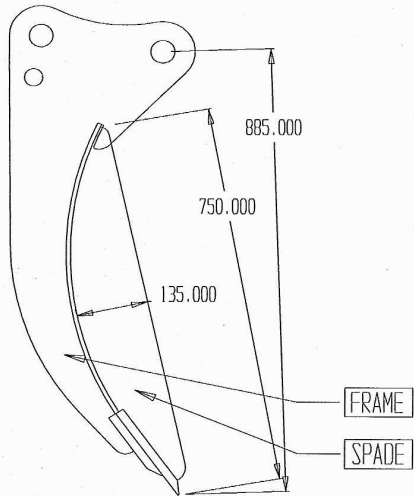
DRAW PIN QUICK COUPLER



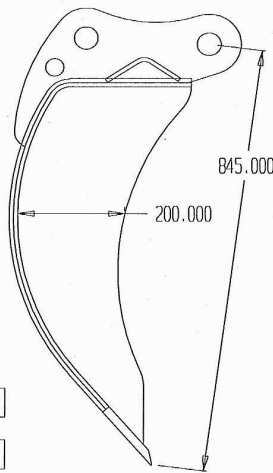
DIGGING BUCKET



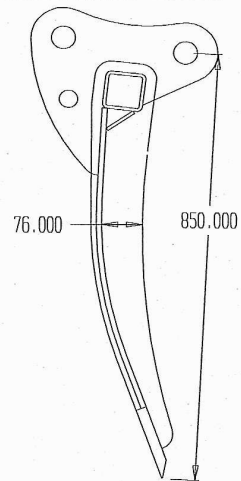
SPADE FRAME WITH BOLT ON SPADES



SPADE BUCKET

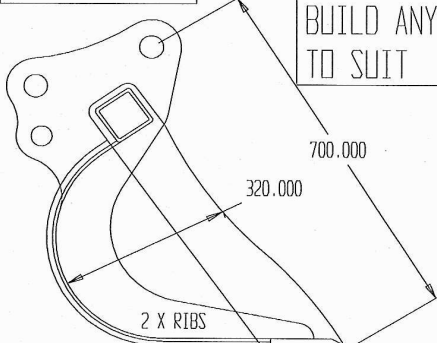


SPADE BUCKET LOW SIDES



SINGLE RAM TILT BUCKET

WIDE BUCKET



CAN CHANGE OR CUSTOM BUILD ANY ATTACHMENT TO SUIT

