



NORTHLAND STEEL PRODUCTS
LIMITED

60 -62 COVE ROAD, WAIPU.
P.O. BOX 59, WAIPU,
NEW ZEALAND.
PHONE (09) 432 - 0146 FAX (09) 432 - 0481
E-MAIL:-nspl@xtra.co.nz

1st SEPTEMBER 2014

EXCAVATOR BUCKET & ATTACHMENT PRICE LIST

GST Not Included Freight Not Included Nett Prices ex Works, Waipu

5.5 to 5.99 TONNE MACHINE WEIGHT

1./ **STANDARD WIDE BUCKET** NSP Design - General Purpose

<u>Width</u>	<u>Weight kgs</u>
1200mm	172
1300mm	173
1400mm	174
1500mm	175

STANDARD WIDE BUCKETS ONLY
ALL MACHINE WEIGHTS
BETWEEN
5.1 TO 5.99 Tonne
ARE MADE TO THESE

When using Tilt Hitches order Tapered End Buckets @ 5% Extra
Optional Extra's: Wear Strips & Bolt on Reversible Cutting Edge

2./ **STANDARD DIGGING BUCKET** NSP Design

Width = Actual Bucket Only - Side Cutters Additional to Width
Side Cutters Standard - Bolt On
Standard Teeth Vertical Pinned 18 Series (Includes Adaptor)
Price - Includes Teeth & Side Cutters

<u>Width</u>	<u>No. of Teeth</u>	<u>Weight kgs</u>
250mm	3	105
300mm	3	113
350mm	3	121
400mm	4	129
450mm	4	137
500mm	4	145
550mm	5	153
600mm	5	164
650mm	5	172
700mm	5	180
750mm	5	188

STANDARD DIGGING BUCKETS
ONLY
ALL MACHINE WEIGHTS
BETWEEN
5.1 TO 5.99 Tonne
ARE MADE TO THESE

3./ **STANDARD SPADE FRAME** \$ 1,016-00 Weight - 90kgs
NSP Design - with Grader Bolts (1 3/4" x 5/8")

SPADES

<u>Width</u>	<u>Weight kgs</u>
250mm	27
300mm	30
350mm	33
400mm	36
450mm	39
500mm	42
550mm	45
600mm	48

SPADE BUCKETS

<u>Width</u>	<u>Weight kgs</u>
300mm	73
350mm	78
400mm	83
450mm	88
500mm	93
550mm	98
600mm	103

SPADE BUCKETS - LOW SIDES

300mm	75
400mm	85

4./ **QUICK COUPLER** - (Drawpin Type) Weight - 62kgs

5./ **SINGLE POINT RIPPER** Weight kgs
with CAT MC25V Tip 130

6./ **SINGLE RAM HYDRAULIC TILT BUCKET** **TWIN RAM HYDRAULIC TILT BUCKET**

<u>Width</u>	<u>Weight</u>	<u>Width</u>	<u>Weight</u>
1400mm	314	1500mm	386
1500mm	341	1700mm	413
1700mm	368		

7./ Plain Bucket Pins (Mild Steel) Ø45 Ø50

Weights (kgs) are only Approximate
PRICES SUBJECT TO CHANGE WITHOUT NOTICE

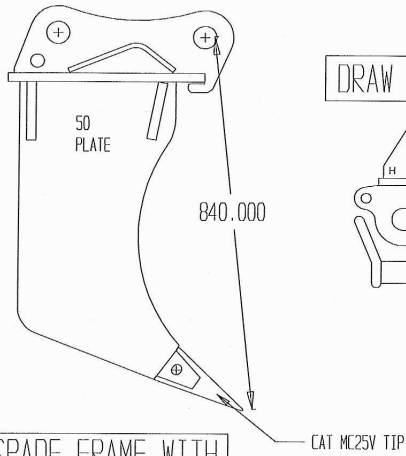


NORTHLAND STEEL PRODUCTS LIMITED

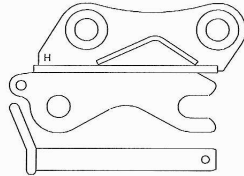
60-62 COVE ROAD, WAIPU.
P.O. BOX 59, WAIPU,
NEW ZEALAND.
PHONE (09) 432-0146 FAX (09) 432-0481
E-MAIL:-nsp@xtra.co.nz

STANDARD 5.5 - 5.99 TON ATTACHMENTS

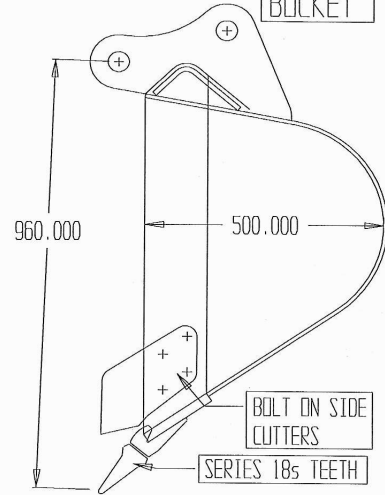
RIPPER



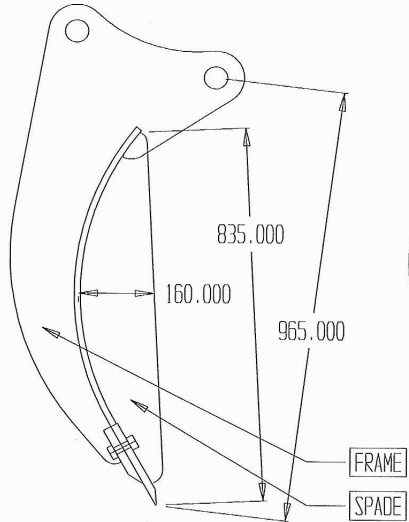
DRAW PIN QUICK COUPLER



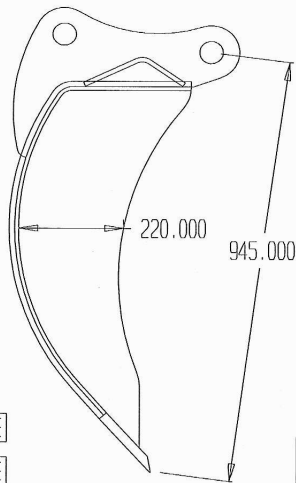
DIGGING BUCKET



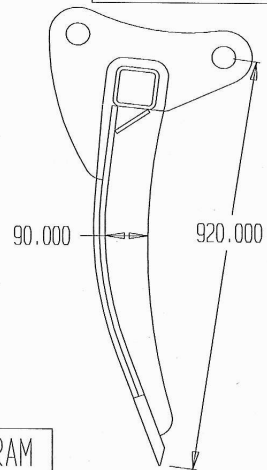
SPADE FRAME WITH BOLT ON SPADES



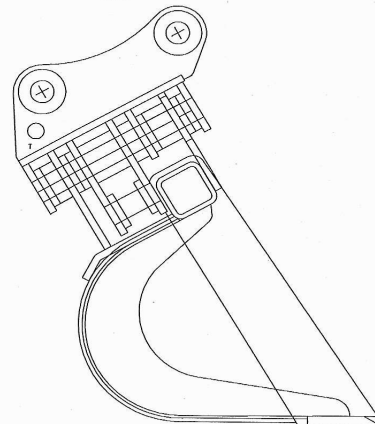
SPADE BUCKET



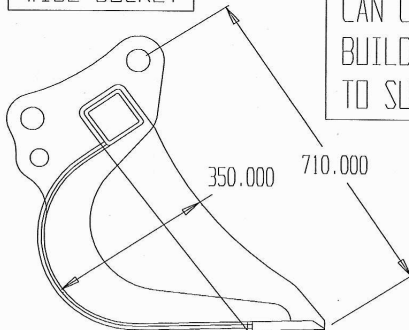
SPADE BUCKET LOW SIDES



SINGLE RAM TILT BUCKET



WIDE BUCKET



CAN CHANGE OR CUSTOM BUILD ANY ATTACHMENT TO SUIT