



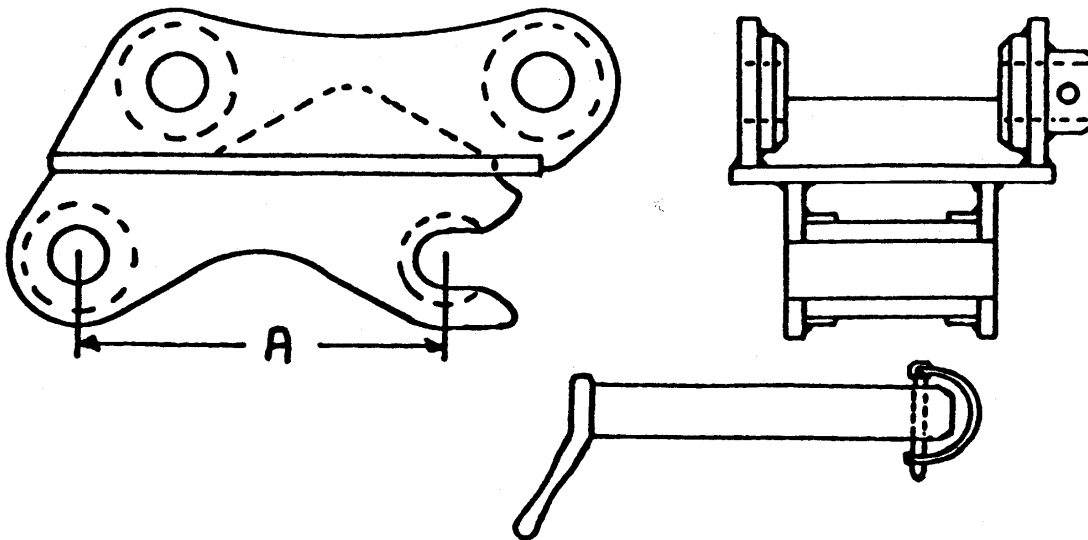
**NORTHLAND STEEL PRODUCTS  
LIMITED**

60 -62 COVE ROAD, WAIPU.  
P.O. BOX 59, WAIPU,  
NEW ZEALAND.  
PHONE (09) 432 - 0146 FAX (09) 432 - 0481  
E-MAIL:-nspl@xtra.co.nz

1st SEPTEMBER 2014

# QUICK COUPLER DRAW PIN TYPE

THIS TYPE DO NOT CLAMP ON PINS  
NOT RECOMMENDED FOR USE WITH BREAKERS



DRAWPIN SUPPLIED WITH QUICK COUPLER  
DIMENSION A MUST BE THE SAME ON ALL ATTACHMENTS

GST NOT INCLUDED	FREIGHT NOT INCLUDED	NETT PRICES EX WORKS, WAIPU			
<u>MACHINE WEIGHT</u> <u>TONNE</u>	<u>COUPLER COMPLETE</u> <u>WITH DRAWPIN</u>	<u>DRAWPIN</u> <u>ONLY</u>	<u>CLIP PIN</u> <u>ONLY</u>	<u>REPAIR PARTS</u>	
				<u>FRONT</u> <u>TUBES</u>	<u>REAR BOSS</u> <u>ASSEMBLY</u>
1 to 1.99					
2 to 2.99					
3 to 3.99					
4 to 5.49					
5.5 to 8.99					
9 to 9.99					
10 to 14					
15 to 17					
18 to 20					

**INDUCTION HARDENED Ø80mm DRAWPIN - STANDARD WITH 20 TONNE**

**PRICES SUBJECT TO CHANGE WITHOUT NOTICE**